



HDMI Adapter

180-Degree Adjustable, HDMI 1.3 Male to Female, Black

HDMI adapters take a high-performance turn.

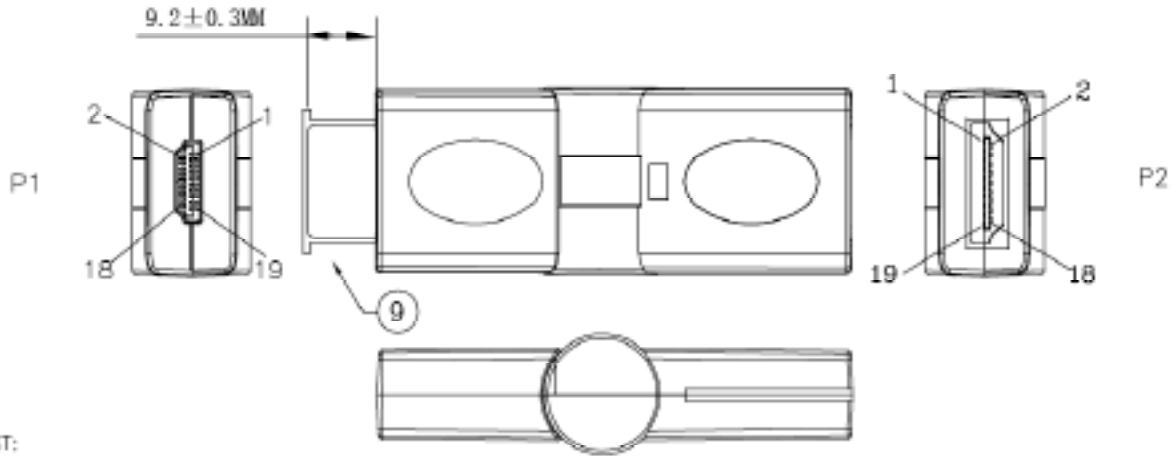
MANHATTAN® HDMI 1.3 Adapters with unique flexible connectors adjust up to 180 degrees to facilitate flat-panel display installations on walls and in confined spaces. With LCD and plasma displays becoming thinner and lighter, the trend is growing for wallmounts and other imaginative placements. However, most HDMI cables with stationary molds require additional space to complete necessary connections resulting in unsightly gaps between the wall and display. Such installations can also create damaging stress on HDMI ports and cause loose or failed connections that may require display removal to restore contact. Ideal for televisions, flat-panel displays, projectors, DVD and Blu-ray players and other HDMI-equipped devices without downward-positioned ports and existing cables with fixed connectors, these MANHATTAN HDMI 1.3 Adapters easily adjust to help minimize distances to nearly 3 cm (1.25 in.) from walls, media cabinets and other narrow locations for stable, nearly flush installations.

Lifetime Warranty

Strict manufacturing standards ensure the highest quality in all MANHATTAN products. All items carry a full Lifetime Warranty — the strongest quality commitment anyone can make.

Model
322355





ELECTRICAL TEST:

1. 100% OPEN & SHORT & MIS WIRE TEST
2. CONTACT RESISTANCE: 2 OHM(MAX)
3. INSULATION RESISTANCE: 10M OHM(MIN)
4. HI-POT TEST: DC 300V/10ms

THESE DRAWINGS AND SPECIFICATIONS ARE THE PROPERTY OF MANHATTAN AND SHALL NOT BE REPRODUCED, COPIED OR USED IN ANY MANNER WITHOUT THE PRIOR WRITTEN CONSENT OF MANHATTAN.

PIN Assignment

P1	P2	P1	P2
1	1	13	13
2	2	14	14
3	3	15	15
4	4	16	16
6	6	17	17
7	7	18	18
9	9	19	19
8	8		
10	10		
12	12		
11	11		
Shell			Shell

REV.	DESCRIPTION	DATE
1		

NO	LINK P/N	DESCRIPTION	QTY	UNIT
9	A6-000015	HDMI TRANSPARENT DUST COVER	2	PCS
8	A4-R001535	UL1007 30AWG TS L=58MM OD:0.7±0.05mm	19	PCS
7	A4-R001535	UL1007 30AWG TS L=45MM OD:0.7±0.05mm	1	PCS
6	A6-R104107	HDMI F ABS UP BLACK INSULATION	1	PCS
5	A6-R104108	HDMI F ABS Down BLACK INSULATION	1	PCS
4	A6-R104111	HDMI M ABS UP BLACK INSULATION	1	PCS
3	A6-R104112	HDMI M ABS Down BLACK INSULATION	1	PCS
2	A2-R000019	HDMI F 19P SOLDER TYPE, NICKEL PLATED, BLACK INSULATION FCBL5.0MM	2	PCS
1	A2-R000047	HDMI M 19P SOLDER TYPE, NICKEL PLATED, BLACK INSULATION	2	PCS

INCHES	M/M
.X	.015
.XX	.010
.XXX	.005

SCALE	NONE	DRAWING NO.:	REV
UNIT	MM	322355	A
DATE	09/04/14		1/2

Features

- HDMI 19-pin male to HDMI 19-pin female gold-plated connections
- Flexible connector adjusts 180 degrees for easy installation on walls, in media cabinets or other confined locations – ideal for modifying existing HDMI cables
- Helps prevent disconnections and stress damage to HDMI ports
- Fully shielded to help reduce EMI and other interference sources
- Molded PVC boot with strain relief
- Lifetime Warranty

Specifications

STANDARDS AND CERTIFICATIONS

- HDMI 1.3b

CONTACTS

- (1) HDMI 19-pin male
- (1) HDMI 19-pin female
- Gold-plated contacts
- Shielded
- 30 AWG connectors

ELECTRICAL

- Current rating: 0.5 A DC
- Withstanding voltage: 300 V DC
- Insulation resistance: 10 MOhms
- Conductive resistance: 2 Ohms
- Thermal plastic casing

PACKAGE CONTENTS

- HDMI 1.3 Adapter

For more information on MANHATTAN products, consult your local dealer or visit www.manhattan-products.com.



Copyright © MANHATTAN

